

ParcelMax offers a range of convenient and flexible international delivery services for parcels up to 30kg; including untracked, tracked, proof-of-delivery and compensation options.

Delivery services



Economy-Lite

A simple solution for lightweight, up to 2kg parcels, enabling you to reach customers worldwide with a reliable, cost-effective service.



Value

A cost-effective logistics solution for eCommerce traffic of all sizes. Tracking and proof-of-delivery where available in the destination country.



Premium

A comprehensive service with end-to-end tracking, proof-of-delivery and optional compensation, available for eCommerce items both small and large.

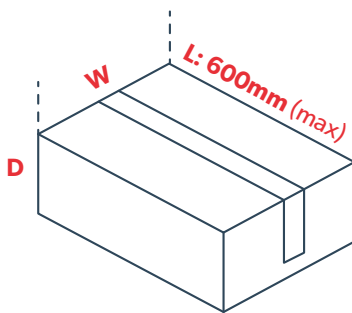



Bespoke solutions

Through our extensive global network of established commercial and postal routes, we offer a range of worldwide delivery services tailored to suit your needs.

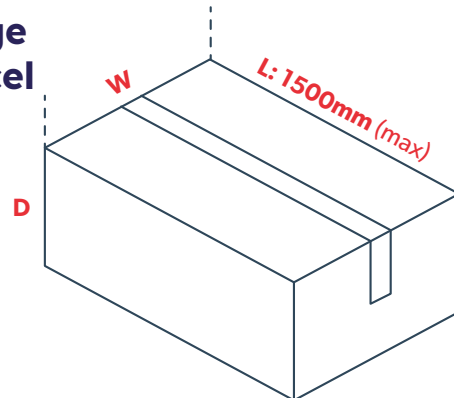
This service is designed to ship parcels up to 30kg in one of the following formats.

Parcel



	Up to 2kg	Combined L + W + D	Up to 900mm
---	-----------	--------------------	-------------

Large Parcel



	Up to 30kg	Combined L + W + D	Up to 3000mm
---	------------	--------------------	--------------

Simple booking of shipments, processing of customs pre-clearance advice and creation of labels through our bespoke shipping tool.